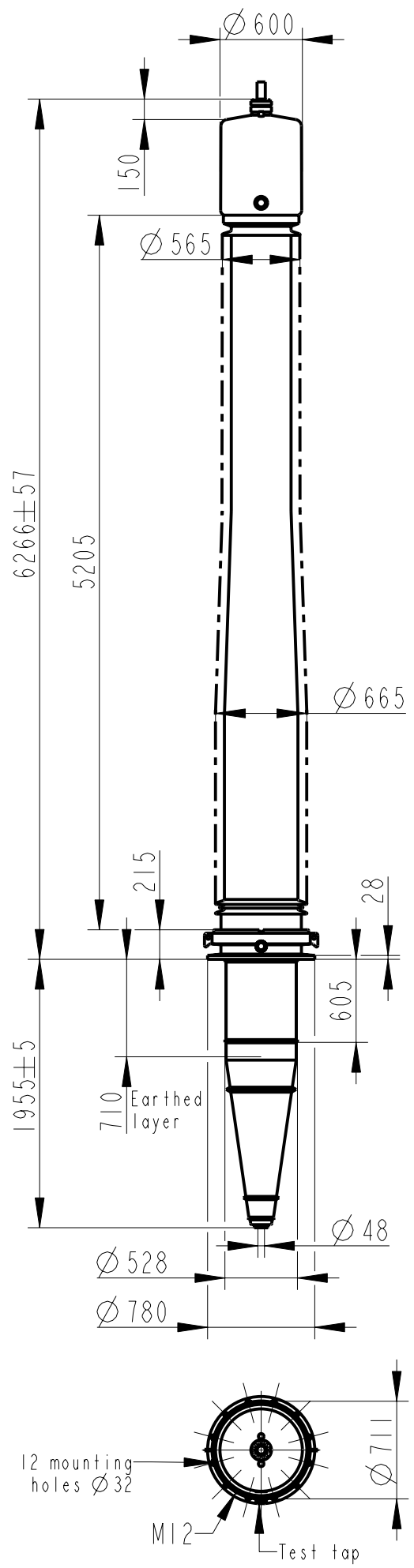


Rev	Ind	Revision	Appd	Date



Bushing Data:

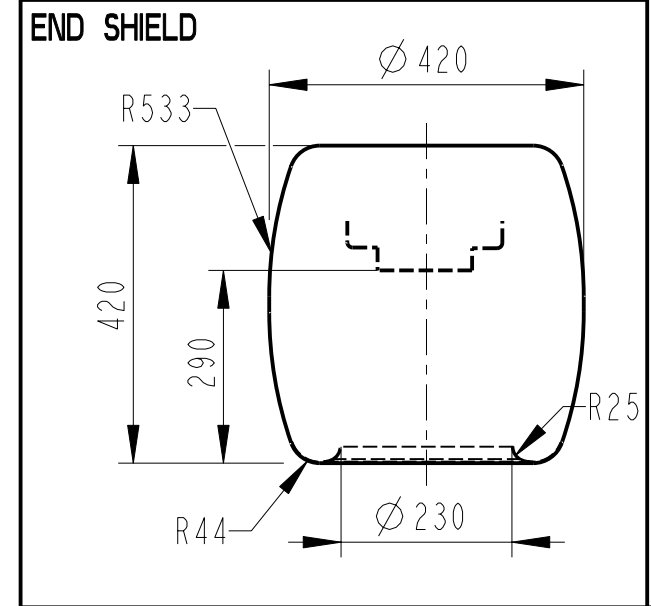
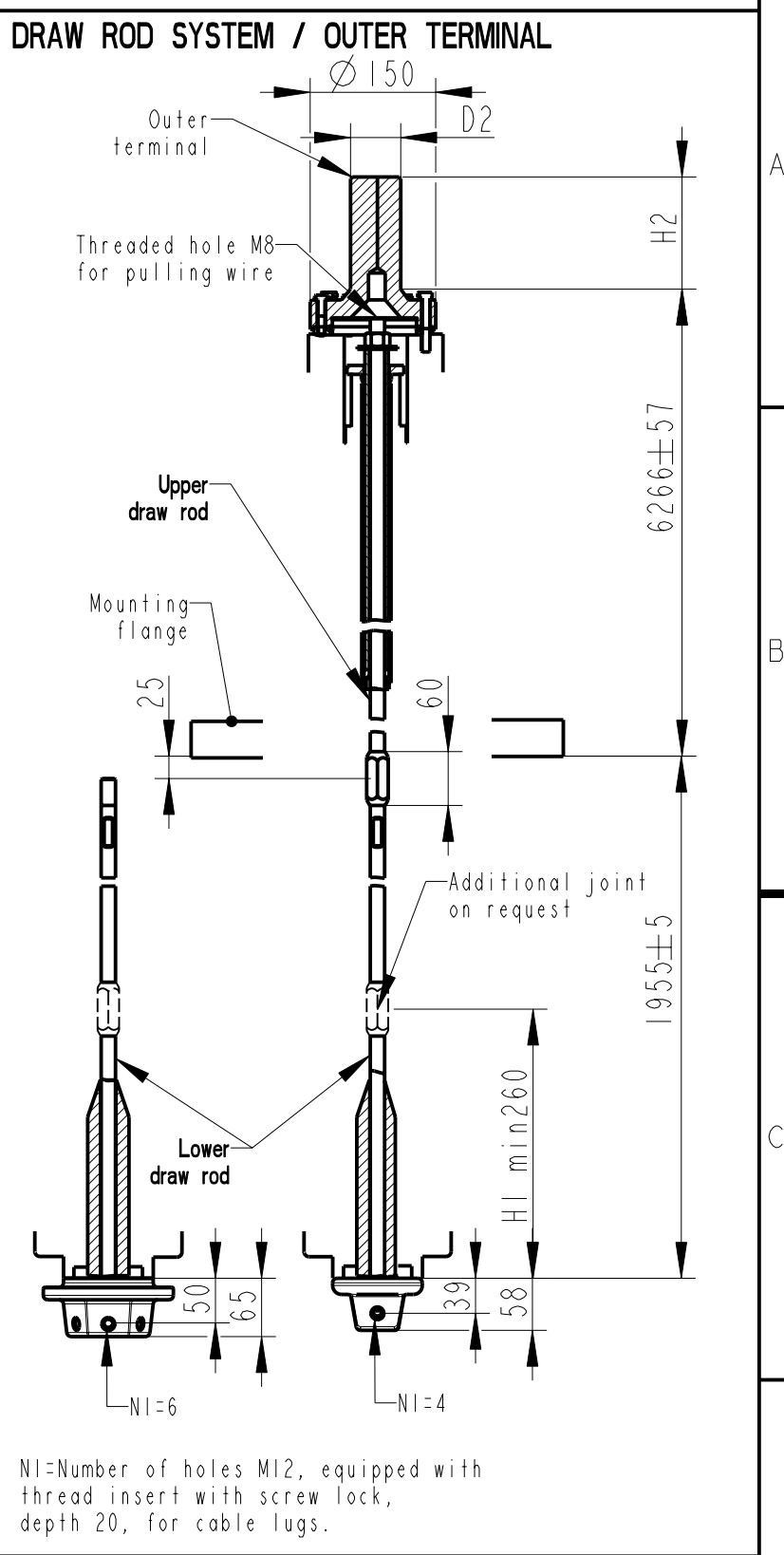
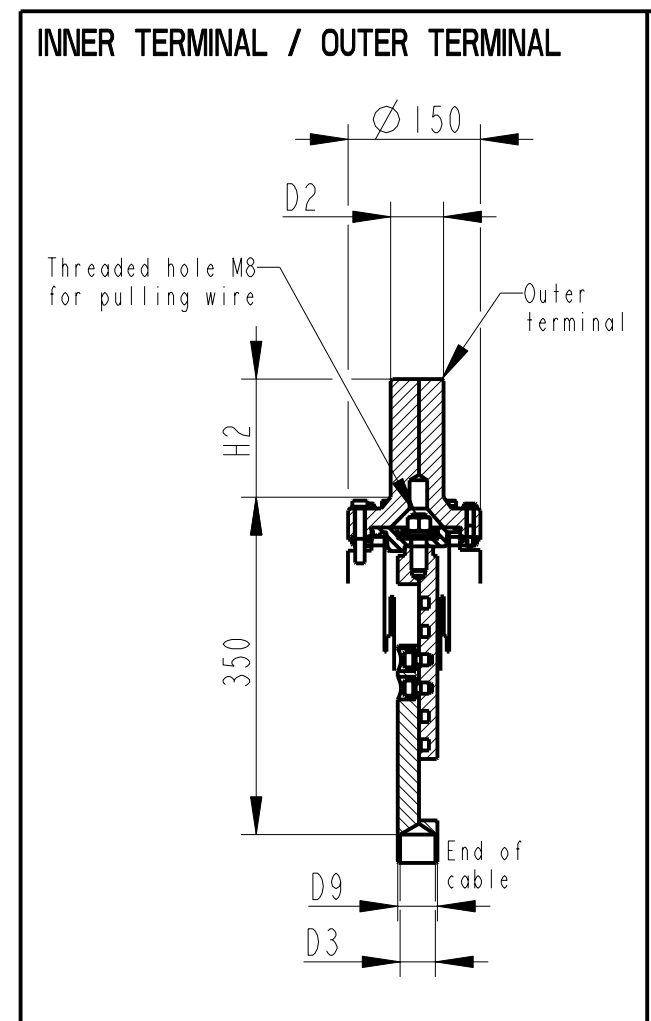
Rated Voltage	800	kV
Phase to-earth Voltage	485	kV
Dry Lightning Impulse 1,2/50µs	2100	kV
Wet Switching Impulse	1425	kV
Wet Power frequency AC	900	kV
Routine test Imin dry 50Hz	970	kV
Rated Current	2500	A
Creepage Distance	16630	mm
Mass	2605	kg

Ordering Data:

BUSHING	COLOUR AIR INSULATOR
LF121081 -A / -AA	BROWN / LIGHT GREY
OUTER TERMINAL	
	H2 D2
	(mm) (mm)
LF170 073-A Al	125 60
LF170 073-B Cu	125 60
LF170 073-G Cu/Ag	125 60
OTHER TYPES ON REQUEST	
END-SHIELD	
LF170 046-X EPOXY INSULATED	
LF170 046-XP INSULATED WITH 5 mm PRESSBOARD	
DRAW ROD SYSTEM	
LF170 059 LOWER DRAW ROD WITH NI=4 OR NI=6	
LF170 057 UPPER DRAW ROD	
INNER TERMINAL	
	D3 D9 Cond.area Current (A)
	(mm) (mm) (mm ²) IEC IEEE
LF170 056-E 0 *)	45 - - -
LF170 056-D	40 45 600 1600 1360

*) WITH PILOT HOLE D=5

ABB Components		Ludvika, Sweden	
U ₁₋₄	N ₁	A	50-60 Hz
U	kV SI	kV AC	kV
M	kg L	mm D	
C1	pF Tanδ		
C2	pF Tanδ		



Based on	Reg. No.	Title	Language
Prepared Lövnord	Responsible department COM/BK 0022	GOE-2100-1425-2500-0.6	
Approved Johansson	Take over department		Page
Design engineering review Gutman	Database	Document No.	1(1)
ABB ABB Components		2751369-44	

We reserve all rights in this document and in the information contained therein. Reproduction, use or disclosure to third parties without express authority is strictly forbidden. ©ABB